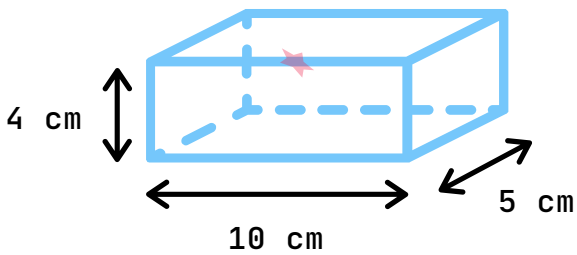


SWIMMING POOL MATHS

How much water does a swimming pool hold? The amount of 3-dimensional space an object occupies is called the volume.

You can calculate volume using the formula:

length x width x height.

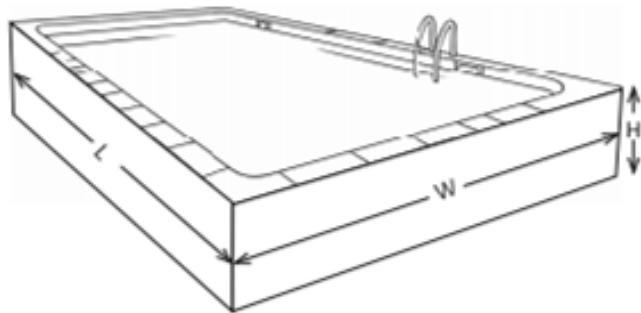


The volume of this shape is..

$$\overset{L}{10} \times \overset{H}{4} \times \overset{W}{5}$$

Volume:

$$200\text{m}^3$$



Calculate the volume of the following swimming pools:

	Height	Length	Width	Answer
1	2	10	4	
2	3	11	3	
3	4	10	5	
4	4	10	3	
5	3	8	3	
6	2	12	6	
7	3	15	6	
8	2	20	5	
9	3	25	12	
10	2	18	5	